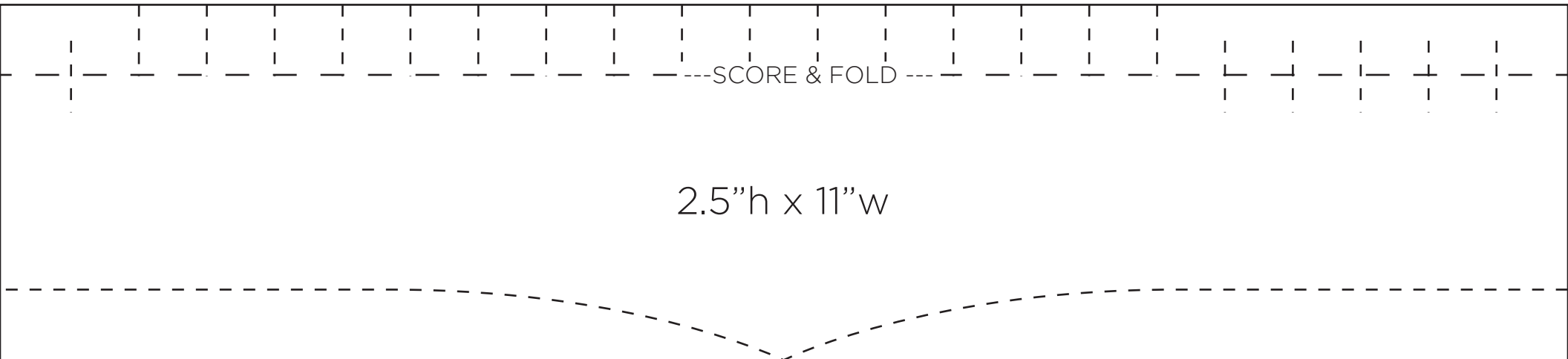


FEATHERED EDGE



SCORE & FOLD

2.5" h x 11" w

WIDOW'S PEAK



Ben Franklin Crafts[®]

GRADUATION CAP

SUPPLIES

4"x4" Black Poster Board #30156676
Black Card Stock 11" x 2.5" Strips #30152503
MSC SCORING BOARD LG #30103578
Glue Sticks #77533638
AC ELMNTS MINI BRAD 100PC GOLD #30153557
Tassel

TOOLS

Glue Gun #77536417
MSC SCISSOR-DETAIL MSC #30078155



1. Pierce a hole in the center of the 4"x4" poster board.
2. Slip brad through the pierced poster board and fasten.
3. Lay 11"x2 1/2" Strip of cardstock horizontally. Measure 1/2" from the top. Using the scoreboard and bone folder score 1/2" across the length of paper. Fold along score.
4. Cut/feather the Top of the 1/2" scored portion (see diagram). This will allow the strip to bend easily and create a headband with a surface to glue on the hat.
5. Trace the bottom portion of the 11"x2 1/2" strip to create a Widow's Peak. Cut. (see diagram)
6. Form the strip into a headband with the feathered edges folding in. Adjust the desired size. Attach end to end with hot glue.
7. The feathered 1/2" folded portion will help create a flat surface to adhere to the bottom of the 4"x4" hat.
8. Attach the band to the hat with hot glue.
9. Attach a tassel to the top.

Pattern template diagram on back side.

Not for re-sale. Property of HouseMart Ben Franklin Crafts © 2016